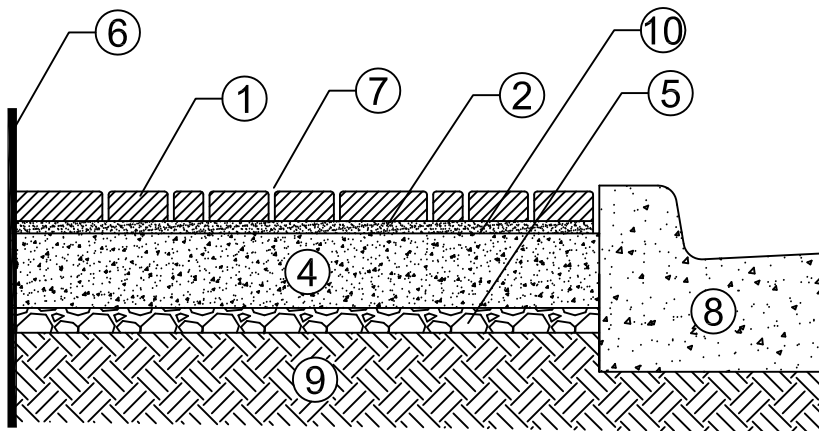


**STANDARD BRICK PAVER CROSS SECTION**  
(TO BE USED IN THE AREAS SUCH AS PARKWAYS)



**HEAVY DUTY BRICK PAVER CROSS SECTION**  
(TO BE USED IN THE AREAS WITH VEHICULAR TRAFFIC)

## MATERIALS

- ① UNILOCK OR "APPROVED EQUAL" BRICK PAVER (2-3/8")
- ② SAND BEDDING (1")
- ③ COMPACTED GRANULAR BASE \* ASTM D 2940 (8") W/ 2 LIFTS.
- ④ COMPACTED HMA BINDER COURSE, N50 (8"), IN TWO LIFTS
- ⑤ COMPACTED GRANULAR BASE \* ASTM D 2940 (2")
- ⑥ VALLEYVIEW T-SHAPE EDGING W/ MAX. SPIKE DISTANCE 8" - 10" OR SIDEWALK
- ⑦ JOINING SAND
- ⑧ EXISTING CURB & GUTTER
- ⑨ COMPACTED SUBGRADE
- ⑩ CONTINUOUS WEED BARRIER FABRIC BETWEEN BASE AND SAND

\* COMPACTED GRANULAR BASE SHALL BE VIRGIN CA-6, GRADE 8, CRUSHED LIMESTONE



VILLAGE OF BENSENVILLE  
12 S. CENTER STREET  
BENSENVILLE, IL 60106  
WWW.BENSENVILLE.IL.US

## BRICK PAVER STANDARD

VILLAGE OF BENSENVILLE SPECIFICATIONS AND DETAILS	REVISIONS	
FILE LOCATION		
G:\ENGINEERING\STANDARDS\NEW STANDARDS\ROADWAY		